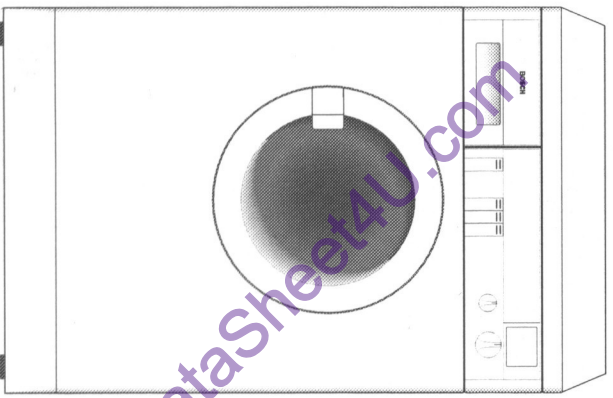


BOSCH

GB Directions for Use



WFF 1101
WFF 1121
WFF 1201
WFF 1301
WFF 1401

BOSCH

www.DataSheet4U.com

www.DataSheet4U.com

GB

Wash programmes Fabric types and care symbols	Temperatures cold = ●	Degree of soiling ²⁾	Maximum load	Approx. programme duration in minutes ³⁾
---	---------------------------------	---------------------------------	--------------	---

Cottons / linens Washable cotton and linen items					
				<u>30/</u> <u>40/</u> <u>60/</u> <u>95/</u>	
1	normal ¹⁾	30 °C – 90 °C	normal	5 kg	
2	eco	30 °C – 60 °C	normal, for economical washing		
3	short	30 °C, 40 °C	light		
4	Additional spin				
					120 – 135
					140 – 150
					100 – 110
					12

Easy-care Cotton, linen, polyester, polyamide or other items made of synthetic fibres					
					<u>30/</u> <u>40/</u> <u>50/</u> <u>60/</u>
5	normal ¹⁾	cold – 60 °C	normal	2,5 kg	
6	eco	cold – 40 °C	normal, for economical washing		
7	short	cold – 30 °C	light		
8	Gentle spin				
					80 – 90
					95 – 105
					55 – 65
					6

Delicates Curtains and delicate items of man made fibres and silk					
					<u>30/</u> <u>40/</u> <u>30/</u> <u>40/</u>
9	Delicates	cold – 40 °C	normal	2 kg / 15-20 m ²	45 – 70

Wool Machine washable wool and wool mixtures labelled and marked "machine washable"					
					<u>30/</u> <u>40/</u> <u>30/</u> <u>40/</u>
10	normal ¹⁾	cold – 40 °C	normal	2 kg	
11	short	cold	light		
12	Short spin				
13	Pumping				40 – 65
					30
					5
					1

1) = Test programmes according to IEC 456 / IEC59(CO)37

2) = Press "Pre- wash" button for very dirty washing which is to be washed in the whites/coloureds or easy-care programme. The programme time will be extended by approx. 20 minutes. Detergent dosing: 1 part for prewash, 3 parts for main wash

3) = The indicated times relate to average load and can be shorter or longer in certain cases.

Important information	Notes on disposal	Page
	Packaging of new appliance	3
	Old appliance	3
	Notes on safety and warnings	3
Your new fully automatic washing machine	Your new washing machine	4
	Environmental protection / notes on saving	4
	Getting to know the appliance	5
	The programme and temperature selector	6
	The programmes	7
	Additional functions	
	"Prewash" button	9
	"Rinse stop" button	9
	1200 1100 1000 900 800	
	600 600 600 600 or 600 "Reduce spin speed" button	9
	The detergent drawer	10
Notes on detergent and preparing the laundry	Detergent	13
	Sorting the laundry	13
	Protecting the laundry and appliance from damage	13
	Removing stains	13
First operation	First wash	14
	Water hardness reminder	14
How to wash	Opening the porthole / loading the machine / closing the porthole	15
	Setting wash programme / starting programme / programme sequence	16
	Ending programmes with rinse hold	17
	Programme end / switching appliance off	18
	Special programmes	
	Soaking	19
	Starching	19
	Dyeing	19
	Bleaching	19
	Changing a programme	19
Maintenance Care Cleaning	Cleaning the appliance	20
	Cleaning the drum	20
	Cleaning the detergent drawer	20
	Cleaning the pump	22
	Cleaning water inlet filters	23
	Descaling the appliance	23
	Water inlet hose	23
	Frost protection	23
Malfunctions	Rectifying minor malfunctions yourself	24
	Customer service	24
Consumption data		

Notes on disposal

Packaging of new appliance

! Dispose of packaging material properly. Packaging material is not a toy for children.

All packaging material used is environmentally friendly and re-usable. The cardboard boxes consist of 80% to 100% recycled paper. Wooden pallets have not been treated chemically.

The plastic wrappings are of polythene (PE), the tapes are of polypropylene (PP) and the CFC-free packing is of foamed polystyrene (PS). These materials are all pure hydrocarbon compounds and can be recycled.

Reprocessing and re-using materials saves raw materials and reduces waste.

Old appliance

! Make the old appliance unusable: Pull the mains plug out, cut off the connecting cable, and remove it together with the mains plug.

Destroy the door lock, so that children cannot lock themselves in thus putting themselves in danger.

The old appliance contains valuable materials which should be reprocessed. Please assist with environmentally friendly disposal or reuse.

You can obtain addresses for disposal of old appliances from your local council.

Notes on safety and warnings

Before starting operation please note:

! Read the enclosed documents carefully. They contain important information for installation, use, and safety of the appliance.

! Keep the documents in a safe place, so that later owners can use them.

! Install the appliance as described in the installation instructions. Remove and keep transit bolts.

! Do not connect the appliance if it has visible damage. If in doubt consult customer service or dealer.

When washing please note:

! This appliance is only suitable for domestic purposes.

We do not recommend connecting your washing machine to an artificial water softening unit.

! Do not leave children unsupervised with the appliance.

! Keep pets away from the appliance.

! When washing at high temperatures do not touch the door.

! Caution when pumping out hot water.

After programme end please note:

! Do not reach into the drum while it is still revolving.

! After programme end switch the appliance off.

! Turn off the water supply.

To protect the appliance please note:

! Do not climb onto the appliance.

! Do not lean on the door.

During transport please note:

! Attach transit bolts.

! Remove all remaining water from the machine.

! Caution when transporting the appliance! Risk of injury!

! Do not use protruding components to lift the appliance!

! Do not lift by the porthole door.

Your new washing machine

This new washing machine is based on our well established models and has new improved features in step with developments in modern detergents and fabric care. It offers a wide range of programmes to accommodate all washable fabrics.

Using only a little water, the **top water system** is able to provide an especially economical wash and rinse cycle.

The fins on the outer side of the drum transport the water upwards. The laundry is then washed continually from the shower of water coming through the openings.

The paddles which have openings to shower the water transport the laundry in the drum. They are asymmetrically arranged which ensures strong or gentle wash action.

Energy and water consumption is adjusted according to the programme set to allow for differences in the quantity and the type of fabric being washed.

The universal soap dispenser has been designed to suit all conventional, concentrated and liquid detergents.

The ball valve system ensures that the detergent is used completely in the wash process, none is left lying at the bottom of the drum or in the sump.

The **foam detector** starts on a cycle which switches on the pumping action every five minutes while the unit is rinsing, thus helping greatly the process of foam removal.

Environmental protection / notes on saving

● The most economical and environmentally friendly way to use the machine is to wash the maximum amount of laundry:

Whites and coloureds	5 kg
Easy-care	2.5 kg
delicates	2 kg
machine washable woollens	2 kg

● **How to save energy:**

Use the energy-saving programme as often as possible, setting a low temperature when doing this, e.g.:

Wash whites in the Cottons programme and at a temperature of 60 °C instead of 90 °C.

Wash easy-care in the easy-care programme at a temperature of 40 °C or 30 °C instead of 60 °C. Using longer washing times but consuming less energy, the economy programmes offer washing results comparable to those of programmes using higher temperatures.

These economy programmes have longer washing times at lower temperatures; they consume less energy but achieve the same results as the high temperature programmes.

● **How to save water, energy, and detergent:**

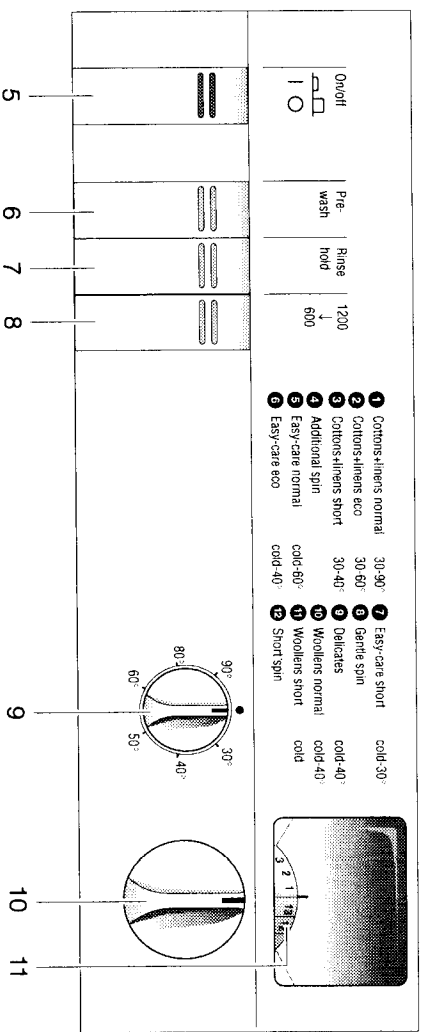
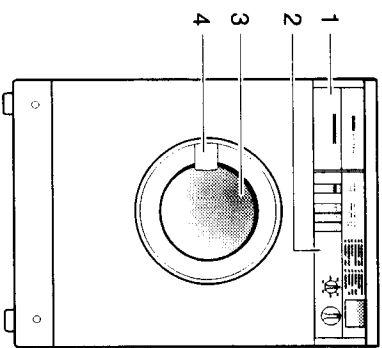
gent:
Do not prewash lightly to normally soiled laundry.

● **How to save energy and time:**
For lightly soiled loads, select a short programme suitable for the fabric.

● **How to save detergent:**
Measure detergent quantities according to water hardness, degree of soiling, and amount of laundry, and follow instructions on the detergent package.

Getting to know the appliance

- 1 Detergent drawer
- 2 Controls
- 3 Porthole
- 4 Opening handle for porthole



5 "On / Off" button for switching the machine on and off and starting the programme

6 "Off" - Normal setting (button not pressed), machine is switched off

7 "On" - Button pressed, machine is switched on

6 "Prewash" button for washing heavily soiled laundry (additional function, page 9)

7 "Rinse hold" button (additional function, see page 9)

8 "Reduce spin speed" (additional function, see page 9)

9 Temperature selection (page 6)

10 Programme selection (page 6)

11 Display for programme selection and programme sequence (page 6)

The programme and temperature selector

The **programme selector** is used to select the programme. Turn the programme selector clockwise (around to the right).

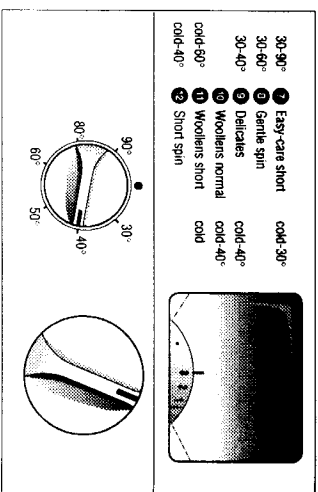
The programme display turns with the selector.

The programme number selected must be aligned exactly with the setting mark above the display.

The **temperature selector** is used to set the temperature for the programme selected. It can be turned in either direction.

Intermediate settings may not be made.

In order not to damage the laundry, the maximum temperatures of 60 °C for easy-care and 40 °C for delicates are not exceeded, even if a higher temperature is actually set.



The programmes

The following programmes and temperatures are available to accommodate various types of fabric:

Cottons / linens

for materials made of cotton or linen
max. load 5 kg

Programme	Temperature	Degree of soiling
1 Whites, normal Coloureds, normal	90 °C 30 °C – 60 °C	Laundry with normal degree of soiling
2 Whites, eco Coloureds, eco	60 °C 30 °C, 40 °C	Energy-saving programmes Laundry with a normal degree of soiling may be washed frequently at a lower temperature, e.g.: whites at 60 °C instead of at 90 °C or coloureds at 40 °C instead of at 60 °C Although using longer washing times while consuming less energy, the washing results are similar comparable to.
3 Whites / coloureds short wash	30 °C, 40 °C	Short programme for lightly soiled or sweat-stained fabrics, e.g. hand towels, sportswear etc.
4 Additional spin		for spinning individual items of clothing

Easy-care
for easy-care materials made of cotton, synthetic or mixed fibres
max. load 2,5 kg

Programme	Temperature	Degree of soiling
	cold = ●	
5 Easy-care, normal	cold – 60 °C	Laundry with normal degree of soiling
6 Easy-care, eco	cold – 40 °C	Energy-saving programme laundry with a normal degree of soiling may be washed frequently at a lower temperature, e.g.: at 40 °C instead of at 60 °C. Although using longer washing times while consuming less energy, the washing results are similar.
7 Easy-care, short wash	cold – 30 °C	Short programme for lightly soiled or merely sweat-stained fabrics.
8 Gentle spin		for spinning individual items of clothing

The programmes

Delicates for net curtains, overclothes and delicate easy-care fabrics made of cotton, silk, synthetic or mixed fibres max. load 15 - 25 m ² or 2 kg		
Programme	Temperature cold = ●	Degree of soiling
9 Delicates	cold - 40 °C	

Wool for machine-washable materials made of wool or woolen mixed fibres max. load 2 kg		
Programme	Temperature cold = ●	Degree of soiling
10 Wool, normal	cold - 40 °C	
11 Wool, short wash	cold	Short programme
12 Delicates, wool Short spin		for spinning individual items of clothing
13 Pumping		for pumping out the rinsing water if "Rinse hold" has been selected (see page 17).

Additional functions

The basic wash programmes are designed for normally to lightly soiled domestic laundry. Additional functions for special requirements may be selected by pressing the respective buttons.

The additional functions and their application are explained below:

"Prewash" button

For particularly heavily soiled laundry with staining, and for workwear/overalls.

Fill 1/4 of the washing agent in chamber 1.

Please note:

In order not to damage the fibres, the Delicates and Wool programmes do not include a prewash.

"Rinse hold" button

All programmes can be carried out without the final spin. The laundry is held in the rinsing water (to end programme, see page 16).

After spinning remove the laundry from the drum as soon as possible to avoid excessive creasing.

"Reduce spin speed" button

The spin speed button allows the selection of lower spin speeds.

- Normal setting (button not pressed) Final spinning takes place automatically at the maximum speed allowed for the selected programme. Different models have different spin speeds (see table 1).
- Button pressed The spin speed button allows you to reduce the spin speed for any programme (see table 2).

In order not to damage delicate fabrics, select the lower spin speed.

For efficient tumble drying:

If the laundry is to be tumble dried, select the higher spin speed, as well-spun laundry requires considerably less time and energy to be dried in a machine.

Pre-wash	Rinse hold	1200 ↓ 600

Table 1: **Maximum spin speeds** of each model (rpm)
(Button not pressed)

	WFF 1401	WFF 1301	WFF 1201	WFF 1121	WFF 1101
Cottons	1200	1100	1000	900	800
Easy-care	800	800	800	800	
Delicates / wool					

Table 2: **Reduced spin speeds** (rpm)
(Button pressed)

	WFF 1401	WFF 1301	WFF 1201	WFF 1121	WFF 1101
all programmes	600	600	600	600	600

The detergent drawer

- ◆ Pull the detergent drawer out as far as possible.

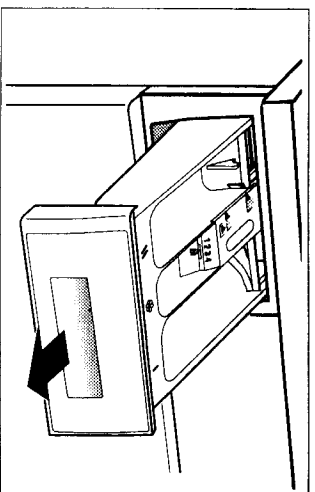
Fill detergent or conditioner in

chamber I, II or ☒:

Chamber I: Detergent for prewash, soaking agent

Chamber II: Detergent for main wash, starching agent

Chamber ☒: Additives for last rinse, e.g. fabric conditioner



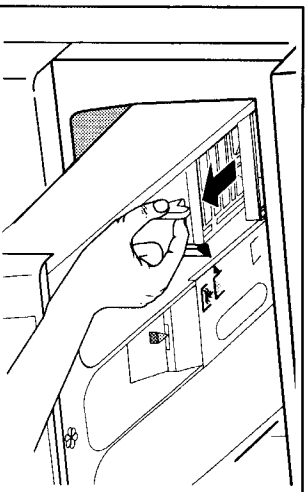
The insert in chamber II can be moved to suit the various types and amounts of detergent.

If you use compact or ultra detergents

e.g. concentrated detergent:

- ◆ pull the insert forward;

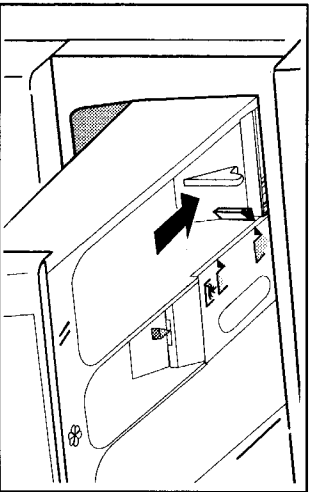
The arrow on the insert points to



If you use conventional detergent:

- ◆ push the insert fully to the rear;

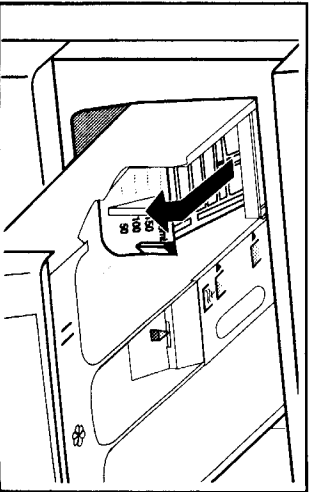
The arrow on the insert points to



If you use liquid detergent:

- ◆ pull the insert as far as possible forward and press it down.

The arrow on the insert points to



The scale on the insert assists with dosage of liquid detergent.

Detergent

You can use all standard powder and liquid detergents which are suitable for automatic washing machines.

- ! Never use solvent-based cleaning agents in fully automatic washing machines!

Risk of explosion!

- ! Do not use washing performance enhancer sprays containing solvents or dirt and stain removers near the machine. The spray could damage the machine.

- ! Store detergents and additives out of the reach of children.

Detergent quantity

Only correct dosage produces good washing results. Follow instructions on the detergent packaging.

With liquid detergents use the liquid insert in the detergent drawer. Or use dosage aids, e.g. dosage balls or bags which are provided with the detergent.

The detergent quantity depends on:

- the water hardness
- the degree of soiling
- the amount of washing
- the dosage information for the respective detergent.

Insufficient detergent will not be noticed until the laundry has repeatedly been washed with too little detergent, when:

- the laundry becomes grey or is not clean.
- grey-brown spots may form on the laundry.
- the heating elements may be covered in lime scale.

Excessive detergent causes:

- unnecessary strain on the environment
- slow down of washing movement in the drum due to the formation of foam giving poor washing results.

Degrees of soiling and examples:

- lightly soiled
No actual soiling or stains visible. Clothes may well have absorbed body odour.
- light summer or sports clothing that has only be worn for a few hours
- T-shirts, shirts, blouses that have been worn for up to one day
- bed linen, guest towels that have been used for one night

- normally soiled

Visible soiling and/or a few small stains*.

- T-shirts, shirts, blouses that have been soaked in perspiration or worn several times
- underwear that has been worn for one day

- tea towels, hand towels, bed linen that have been used for up to one week
- curtains (not discoloured by nicotine) that have been hanging for up to 6 months.

- heavily soiled

Visible soiling and/or stains*.

- kitchen towels that have been used for up to one week
 - cloth serviettes
 - babies' bibs
 - children's outer clothing that has been stained by grass or soil
 - football jersey and shorts that have been stained by grass or soil
 - tennis clothing with stains from playing surface (red ash, etc.)
 - working clothes that are normally washed at home, such as boiler suits, overalls, etc.
- * Typical stains
- skin grease, cooking oils/fats, gravy, sauces, mineral oil, waxes (containing fats or oils)
 - tea, coffee, red wine, soft fruits, vegetables (respond to bleaching agents)
 - blood, egg, milk, starch (containing proteins/carbohydrates)
 - soot, soil, sand (pigments)

Hints

Water softeners

Special water softening agents are available for the hard water areas. Follow instructions for use on the package. Always put the detergent into the chamber first, then the softener into the same chamber. The detergent is then utilised more efficiently. However, provided the correct amount of detergent is used, there is normally no need to use a separate water softening agent.

Soaking agents

Put soaking agent into chamber **I** of the detergent drawer. Select **soak** programme (see page 19).

Fabric conditioners

Put fabric conditioner into chamber **II**. Do not exceed "max" marking or the conditioner will flow into the machine together with the detergent at the start of the programme. To prevent blockage of the overflow, dilute thick conditioner with water before putting it into the chamber. Avoid formation of lumps.

Starching

Pour into chamber **II** of the detergent drawer. Select **starch** programme (see page 19).

Bleaching agents

A powder bleaching agent may be used on fabrics which are suitable for bleaching. First pour in detergent, then powder bleach into chamber **II**.

Preparing the laundry

Sorting the laundry

- Sort the laundry according to the care symbols on the labels.
 - Knitted items made of wool or containing wool must only be washed in the machine if the label states that they are machine washable.
- Only items marked with the following care symbols are suitable for washing in the machine:

Whites

Coloureds

Easy-care

Delicates

Machine-washable wool

Laundry which is marked with the following care symbols must not be washed in the machine:

Hand wash

Do not wash

- Sort the the laundry by colour.
 - Wash white and coloured items separately, otherwise white washing turns grey.
- Do not wash new coloured items together with other washing. Risk of discolouration! Do not overload the washing machine. Overloading leads to poor washing results.

Maximum loads:

Whites/coloureds	5 kg
Easy-care	2,5 kg
delicates	2 kg
machine washable wool	2 kg

Protecting the laundry and the washing machine from damage

- Items which have been pretreated with solvent-based cleaning agents, e.g. stain removers, petroleum ether, must be allowed to dry in the open before washing. **Risk of explosion!**
- Remove foreign material and metal objects, e.g. safety pins, paper clips, from the laundry.
- Brush sand out of pockets, cuffs and turn-ups.
- Close zips and duvet covers, poppers and buttons.
- Remove curtain runners or tie them in a laundry net or a bag.
- Particularly fragile items, e.g. tights and curtains, and small items, e.g. small socks, and handkerchiefs, should be washed in a laundry net or a pillowcase.
- Turn trousers and knitted items, including items such as knitwear and underwear, T-shirts and sweatshirts inside out.

Removing stains

One wash is sometimes not enough to remove stubborn stains. If possible, stains should be removed, or at least pretreated, immediately, when they occur. Dried on stains are more difficult or impossible to remove. Fresh stain: try first with soap and water. Dab on the material, do not rub.

First operation

First wash (no laundry in the machine)

The first wash should be carried out without any laundry in the machine to remove residual water left from testing the machine in the factory.

1. Check that the transit bolts have been removed from the back of the machine (see installation instructions).
2. Open the water tap.
3. Pull the detergent drawer out as far as possible.
4. Put half a measuring cup of normal washing agent in chamber **II**. Do not use mild washing agent or washing agent for woollens as these produce excessive foam.
5. Turn the programme selector clockwise, to programme **1** (Cottons, normal).
6. Turn the temperature selector to **60 °C**.
7. Press the "On / Off" button. The programme will start.
8. When the programme has finished, press the "On / Off" button.

Water hardness reminder

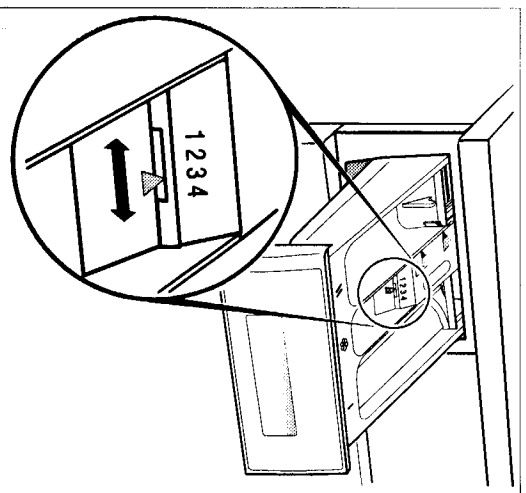
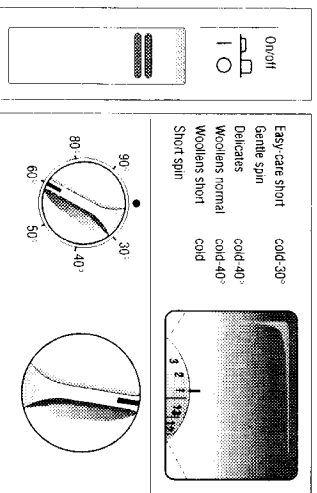
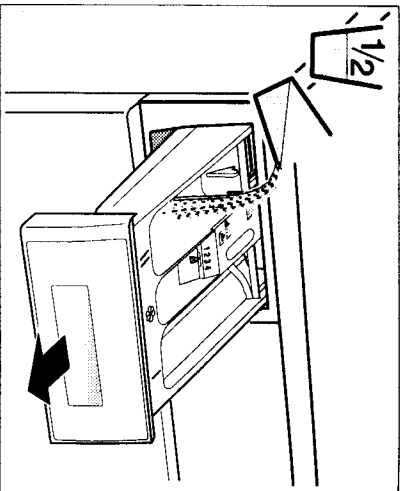
No need to set this indicator in appliances used in GB.

The washing agent dosage depends on the water hardness. The local water authority can provide information on water hardness.

The water hardness can be indicated in the soap dispenser as a reminder, e.g. 3.

Water hardness information

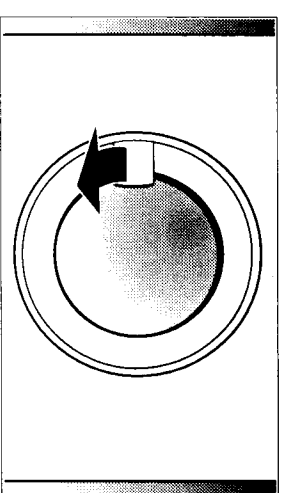
Hardness range	Property	German hardness dH
1	soft	0 - 7
2	medium	8 - 14
3	hard	15 - 21
4	very hard	over 21



Opening the porthole/loading the machine / closing the porthole

Opening the porthole

- ◆ Pull the opening handle on the porthole forwards.

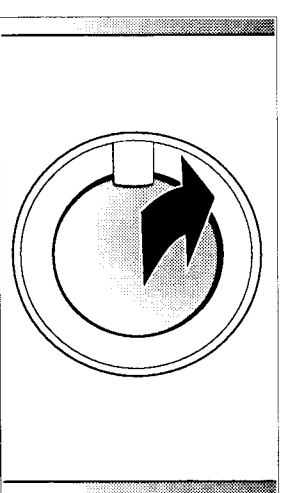


Loading the machine

- ! Before loading the machine, ensure that no foreign matter or pets are in the drum.
- ◆ Place the laundry loosely and unfolded in the drum. Mix large and small items.

Closing the porthole

- ! Ensure that no items of laundry are jammed between the door and the rubber seal.
- ◆ Close the porthole by pressing it shut until it engages audibly.



Setting a wash programme / starting a programme / programme sequence

Setting a wash programme

- ◆ Set the programme selector to the required programme, e.g. **1** (Cottons, normal).
 - ◆ Set the temperature selection to the desired temperature, e.g. **40 °C**.
 - ◆ Press the button for the additional functions desired.
- See page 9 for more detailed information on the additional functions.

Starting a programme

- ◆ Check that the door is properly closed. If the door is not shut properly a safety device prevents the machine from operating.
 - ◆ Press the "On / Off" button.
- The unit is switched on and the programme is started.

Programme display

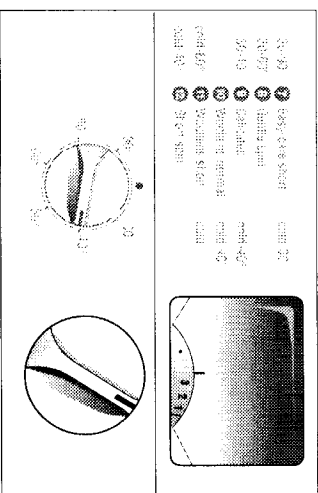
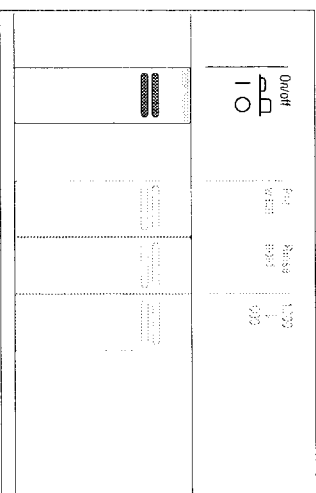
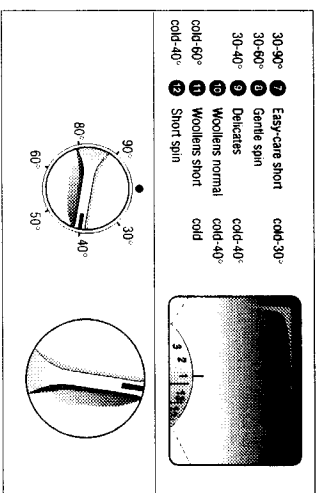
The programme selector moves automatically to the start of the washing programme. The programme begins.

The programme selector continues to turn during the programme, the display showing the current stage of the programme.

Programme end:

if you...

- have not selected the "rinse hold" additional function, refer to page 18.
- have selected the "rinse hold" additional function, refer to page 17.



Symbols on the display disk	
	Spin
	Pumping

Ending the programmes with rinse hold

Assumption: You have selected the "rinse hold" additional function.

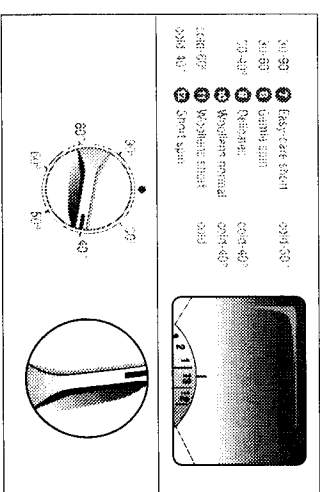
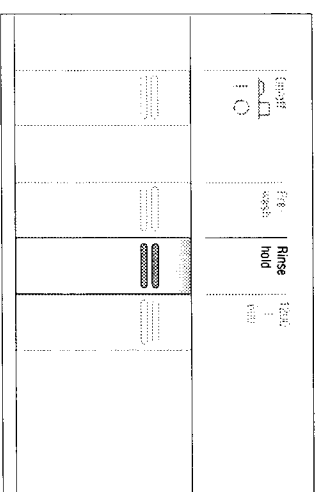
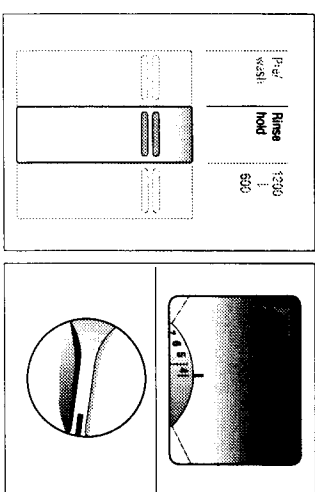
The laundry is in the last rinsing water. The porthole cannot be opened until the laundry has been spun or the rinsing water has been pumped out.

- There are two ways to end the programme:
- The laundry is to be spun:

- ◆ Reset the depressed button "Rinse hold" by pressing again.
- The water is pumped out and the laundry is spun.

— or —

- If the laundry does not require spinning:
 - ◆ Set the programme selector to **13** (pumping).
- The rinsing water is pumped out and the laundry may be removed from the machine.

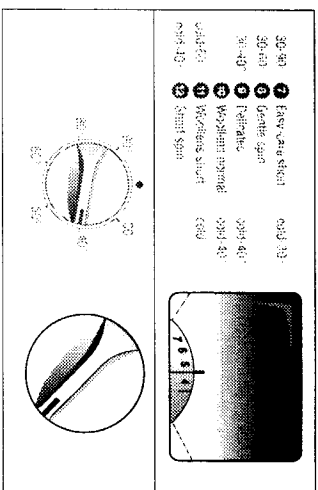


Programme end/ switching the machine off

Programme end

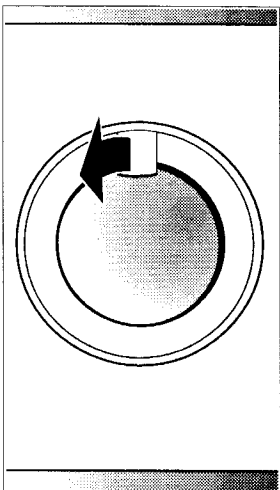
All programmes are completed by spinning (unless the rinse hold option has been selected).

The programme selection indicator is at the final position of the programme in question.

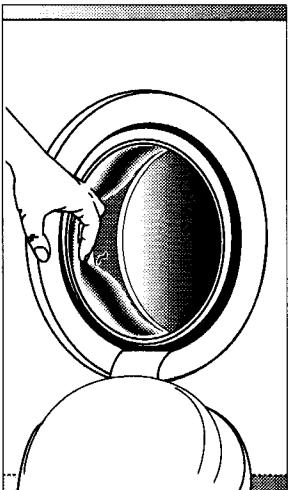


To remove the laundry:

- ◆ After approx. 2 minutes after the programme has finished, pull the opening handle on the porthole outwards.

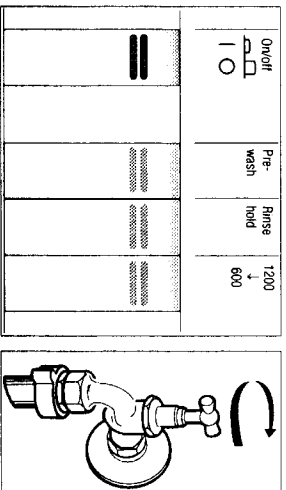


- ! Remove any foreign matter (e.g. paper clips) from the drum and the rubber seal!
- ◆ **Otherwise risk of rusting!** Leave the porthole slightly open so that the machine can dry out.



Switching the machine off

1. Reset any depressed extra buttons by pressing again.
2. Press the "On / Off" button.
3. Turn off the water supply.



Special programmes / changing a programme

Soaking

You can soak your laundry in this machine for as long as you like.

1. Only put items of the same colour into the drum.
 2. Put detergent for soaking in chamber I.
 3. Follow the manufacturer's instructions on the package.
 4. Set the programme selector to programme 1 (Cottons, normal).
 5. Set temperature selector to **30 °C**.
 6. Press button "Prewash".
 7. Press the "On / Off" button.
 8. After approx. 10 minutes, switch the machine off by pressing the "On / Off" button again and leave the laundry to soak for the desired period of time.
- Afterwards:
8. Carry out a spin programme.
 9. After spinning, set wash programme and temperature.
 10. Press button "Prewash".
 11. Pour detergent only into chamber II.
 12. Press the "On / Off" button.
- The programme resumes.

Starching

Do not use fabric conditioner before starching.

1. Dissolve starching agent in water. Follow the manufacturer's instructions on the package.
 2. Set programme selector to programme 9 (Delicates).
 3. Set temperature selector to **cold**.
 4. Press the "On / Off" button.
- The programme begins.

Special programmes / changing a programme

5. While the water is running in, pull the detergent drawer out slightly and pour starch into chamber II.
6. Close the washing agent drawer.
7. Switch the machine off by pressing the "On / Off" button again after 10 minutes.
8. Following this, carry out a spin programme.

Dyeing

Your washing machine offers only limited possibilities for dyeing.

Please use only environmentally friendly dyeing agents. Follow the manufacturer's instructions on application and suitability for washing machines.

Cautions: Laundry which is washed in the machine after a dyeing programme may discolor as dye deposits may be left in the machine. Therefore, after each dyeing, run a 90 °C wash programme without laundry. Put 1/2 a measuring cup of normal detergent into chamber II.

Bleaching

Do not bleach in this machine.

Changing a programme

If an incorrect programme has been set and started, it is possible to change it as follows:

1. Switch the unit off by pressing the "On / Off" button again.
 2. Set the programme selector to the new programme and the temperature selector to the new temperature.
 3. Press the "On / Off" button.
- The new programme resumes.

Cleaning the machine

- 1 Do not use solvents! Solvents can damage components of the machine, produce poisonous vapours, and may cause an explosion!
- 1 Do not spray the machine with a water jet! Use a damp cloth or a standard solvent-free, non-scouring cleaning agent to clean housing and fascia.

Cleaning the drum

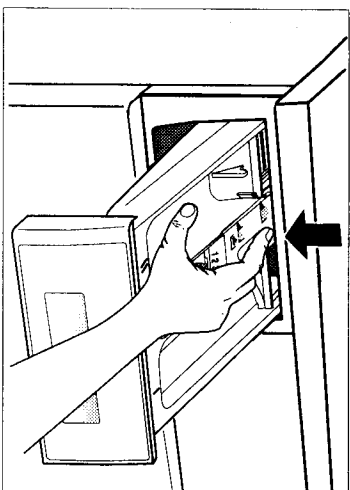
Rust, caused by metal objects which were left in the machine after washing, must be removed using a chlorine-free cleaning agent. Never use steel wool!

If washing is consistently carried out at low temperatures it is advisable to carry out a 90 °C cycle from time to time in order to prevent detergent accumulation.

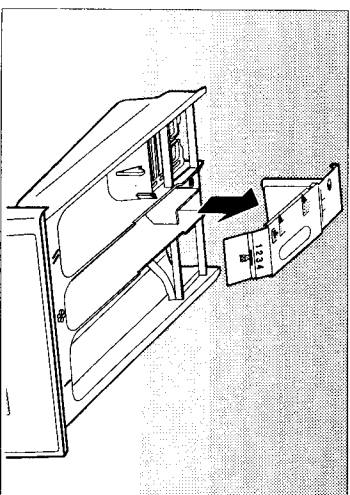
Please ensure that the door gasket is wiped dry after use. We also recommend that the door is left ajar.

Cleaning the detergent drawer

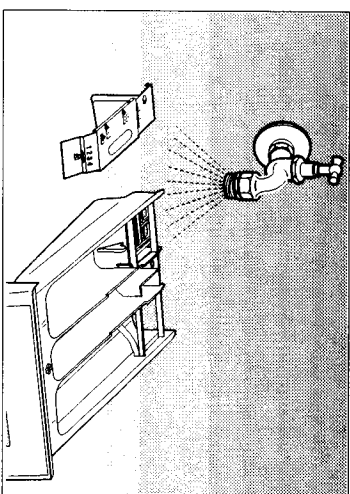
1. Pull the detergent drawer out as far as possible.
2. Press on the conditioner chamber cover, keep it pressed, and pull the detergent drawer out.



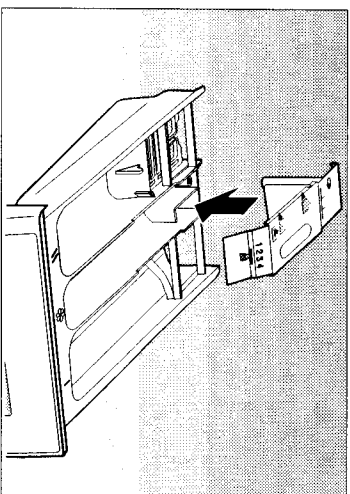
3. Remove the insert.



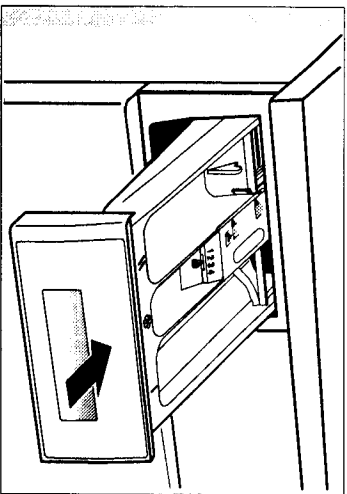
4. Clean the chambers and insert under running water.



5. Replace the detergent drawer in the unit.



6. Replace the insert in the detergent drawer.



Cleaning the pump

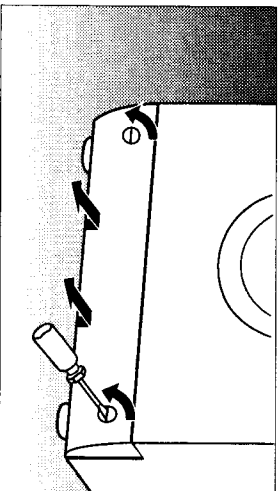
Cleaning is necessary:

- if the pump is blocked by foreign matter (e. g. buttons, paper clips) and the water cannot be pumped away.
- after washing fluffy items.

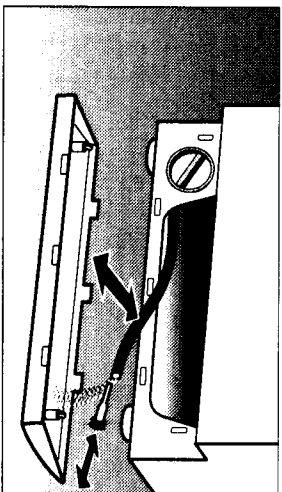
! Risk of scalding if a high temperature wash was selected! Allow hot water to cool first.

Cleaning procedure:

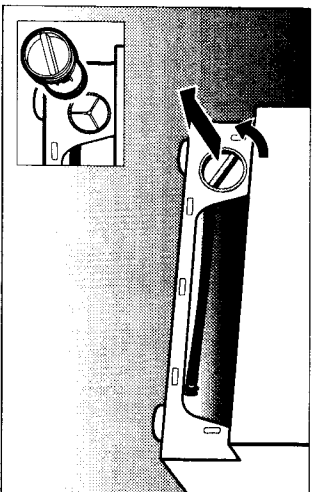
1. Remove base panel from front of machine. Use a screwdriver or a coin to open (turn) the closing devices on the base panel at the front of the machine. The slots must be horizontal. Put both hands in the middle under the base plate, lightly press upwards and pull forward.



2. Take out drain hose, pull out plug, allow water to run into base panel. Repeat procedure as often as necessary. If the pump is blocked up to 20 litres of water may run out on unblocking. Keep a bucket ready.

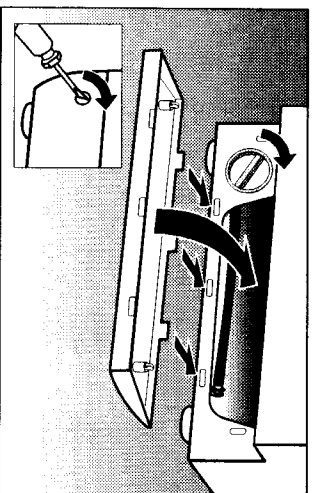


3. Close and replace drain hose.
4. Remove pump cover.



5. Remove foreign matter and fluff deposits. Clean pump interior. It must be possible to turn the pump propellers.

6. Close pump cover.
7. Replace and close base panel.



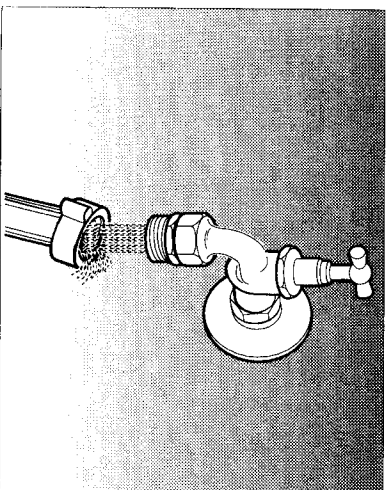
8. Pour approx. 2 litres of water into chamber 1 of the detergent drawer and carry out programme 13 (pumping). This prevents detergent going unused into the discharge system when the next wash is carried out.

Cleaning water inlet filters

If the water tap is open and not enough water or none at all enters the machine, preventing the programme from starting, the filters in the water inlet hose should be cleaned. The filters are located in the hose screw-fitting on the tap and on the rear panel of the unit.

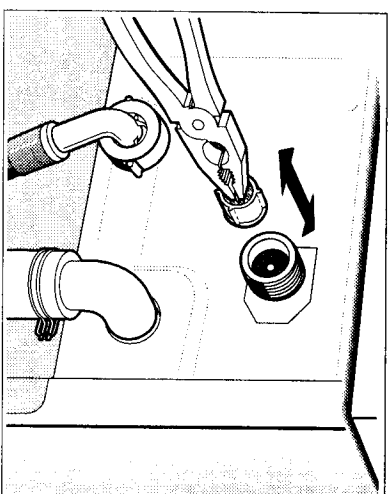
Cleaning procedure:

1. Close the water tap.
2. Set the programme selector to programme 5 (Easy-care, normal) and the temperature selector to **cold** and press the "On / Off" button. After approx. 40 seconds, switch off the machine by pressing the "On / Off" button again. The water pressure in the inlet hose is relieved.
3. Unscrew hose from tap and rinse filter under running water.



4. Reconnect hose.
5. Unscrew hose from back.

6. Use flat pliers to remove filter, clean and replace.



7. Reconnect hose.
8. Open tap and ensure that there is no water leakage.
9. Close the tap.

Descaling the machine

Descaling is normally not necessary if the correct amount of detergent has been used. ! Descaling agents contain acids which can corrode components of the machine and cause discolouration of washing. If you wish to descale anyway, follow the manufacturer's instructions carefully.

Water inlet hose

To avoid the risk of leakage, have the hose checked by a qualified person after approx. 5 years.

Frost protection

If the machine is in a location where there is a risk of frost, all residual water must be removed from the pump and the inlet hose immediately after use.

Draining the pump:

See "Cleaning the pump" page 22.

Draining the water inlet hose:

- ◆ Turn off the water tap.
- ◆ Unscrew hose from tap, allow water to flow into a container. Screw hose to tap.

This machine meets the safety requirements. Repairs to electrical units must only be carried out by qualified persons. Repairs by unqualified personnel may result in considerable damage to the machine.

Malfunctions

Possible causes / remedial measures

Washing process does not start

- Loading door not properly closed.
- No programme selected.
- "On / off" button not pressed.
- Blown fuse.
- Electrical power failure.
- Plug is not, or only loosely inserted in the socket.
- Programmes for whites, colours or delicates are usually preceded by a brief pause before starting.

Electrical power failure

If a power failure occurs or the machine stops working, emergency draining is possible (see "Cleaning the pump", page 22), in order to allow removal of laundry.

Water does not run in or detergent has not been flushed in and the programme sequence indicator immediately moves into end position

- First check:
- Is the tap on?
 - Is the filter in the water connection blocked? (For cleaning see page 23).
- Once you have checked the above:
- Re-select the wash programme
 - Do not add detergent
 - Start the programme
- If the problem reoccurs, the machine is malfunctioning. Call customer service.

Detergent not washed out of chamber I

"Prewash" button not pressed.

Detergent residues in soap dispenser

- Damp or lumpy detergent.
- Dry out the soap dispenser before adding detergent (for cleaning, see page 20).
 - Use dispenser balls for liquid and compact detergents. Put the detergent into the dispenser ball and place directly into the drum along with the laundry.
 - Insert is set for liquid detergents. Move insert for operation with powder detergent (see page 10).

Water not visible when washing

No malfunction! The water is in the machine below the visible level.

Poor washing results

- Degree of soiling higher than normal.
- Change type and dosage of detergent.
 - Select maximum permissible temperature for fabric type.
 - Select more powerful wash programme.

Detergent residues on laundry

This is not due to poor rinsing performance of your washing machine, but is caused by certain phosphate-free detergents which tend to deposit light-coloured insoluble spots on the laundry.

Remedy: dry and brush off or repeat complete rinsing immediately. Possibly change detergent.

Grey residues on laundry

The normal dosage of detergent is sometimes insufficient to remove soiling caused by dirts, grease, and oils.

Remedy: Increase dosage next time and select maximum permissible temperature for fabric type.

Grey stains on laundry

These stains could be caused by cosmetics or hair spray etc, which came into contact with the clothes before it was put into the machine. Remedy: some stains can be washed out after soaking in liquid detergent.

Foam comes out of the soap dispenser

Too much detergent used. Use "on / off" button to switch machine off for approx. 5-10 minutes. Put a dessert spoon of fabric conditioner mixed with 1/2 litre water into the soap dispenser. Adjust detergent dosage for next wash. Machine is attached to a domestic water softening unit. Reconnect cold water inlet hose to direct cold water mains supply.

Foam is visible after last rinse

Certain detergents tend to produce more foam. This has no influence on the rinsing result.

Motor noise

No malfunction! Operating noises can occur in the starting phase of the drive motor.

Pump noise at start of programme

No malfunction! With programmes without a prewash, the pump is switched on briefly when the programme starts.

Pump noise

No malfunction! The noises when the pump starts and "sucks dry" are normal.

Spins several times

The balance control system has detected unbalance and has rectified this by starting the spin a number of times.

Vibrations when washing and spinning

- Transit bolts were not removed. Follow notes in installation instructions!
- Feet of machine were not secured when machine was installed. Realign machine using spirit level, secure feet of machine according to installation instructions.

Extended programme time

- If there is too much foam, the foam detector switches on a 5-minute pump cycle in order to break down the foam so that rinsing will be successfully completed.
- If there is a serious imbalance during spin, the programme may be extended due to repeated redistribution of laundry. Remedy: wash large and small items together to improve balance.

Rectifying minor malfunctions yourself

The unit is stationary during rinsing (porthole covered with foam), and the pump is running

If there is too much foam, the foam detector switches on a 5-minute pump cycle in order to break down the foam so that rinsing will be successfully completed.

Door cannot be opened

- Programme not yet finished.
- Rinse and hold selected (see page 17).
- The porthole can be opened approx. 2 minutes after pumping has finished or the programme has been completed.

The laundry has not been spun and is lying in the rinse water

- First check:
- Is the rinse hold button depressed?
 - Is the programme sequence indicator in end position?
 - Switch off the machine.
 - Check whether the drain hose, drain pipe or pump is blocked. (See page 22, "Cleaning the pump")
- Once you have checked the above:
- Re-select the wash programme
 - Do not add detergent
 - Start the programme
- If the fault occurs again the machine is malfunctioning. Call customer service to rectify the fault.

Customer service

◇ Before calling customer service, please check whether you can rectify the malfunction yourself (see section "Rectifying minor malfunctions yourself").

If there is no fault found with the machine, a call out charge will be incurred even during the guarantee period.

! If you cannot rectify a malfunction yourself, switch the machine off, remove the mains plug, shut the tap, and call customer service.

You can find the nearest customer service in the supplied directory.

Please inform customer service of the product number (E-Nr.) and the production number (FD) of the machine. This information is on the type plate on the frame of the door (open) and on the identification plate on the rear of the machine, with a thick line around it.

Note the numbers of your machine here

E-Nr. _____	FD _____
--------------------	-----------------

Product number Production number

Please help to avoid unnecessary journeys by giving the product number and the production number. You thus save associated extra costs.

Consumption data

1 Actual consumption figures can vary from the details quoted here as they depend upon water pressure, hardness and inlet temperature, temperature of room where machine is sited, type and amount of laundry, detergent that is used, fluctuations in mains voltage and the number of additional functions selected.

Normal programme (with no additional functions)	Size of load	Consumption data
Cottons 90 °C	5,0 kg	Electricity: 1,9 kWh Water: 59 l
Coloureds 60 °C	5,0 kg	Electricity: 1,10 kWh Water: 59 l
Coloureds 40 °C ¹⁾	5,0 kg	Electricity: 0,6 kWh Water: 59 l
Easy-care 40 °C	2,5 kg	Electricity: 0,4 kWh Water: 59 l
Delicates 30 °C	2 kg	Electricity: 0,6 kWh Water: 80 l
Wool 30 °C	2 kg	Electricity: 0,6 kWh Water: 75 l

1) Consumption data according to A.S.2040 - 1990